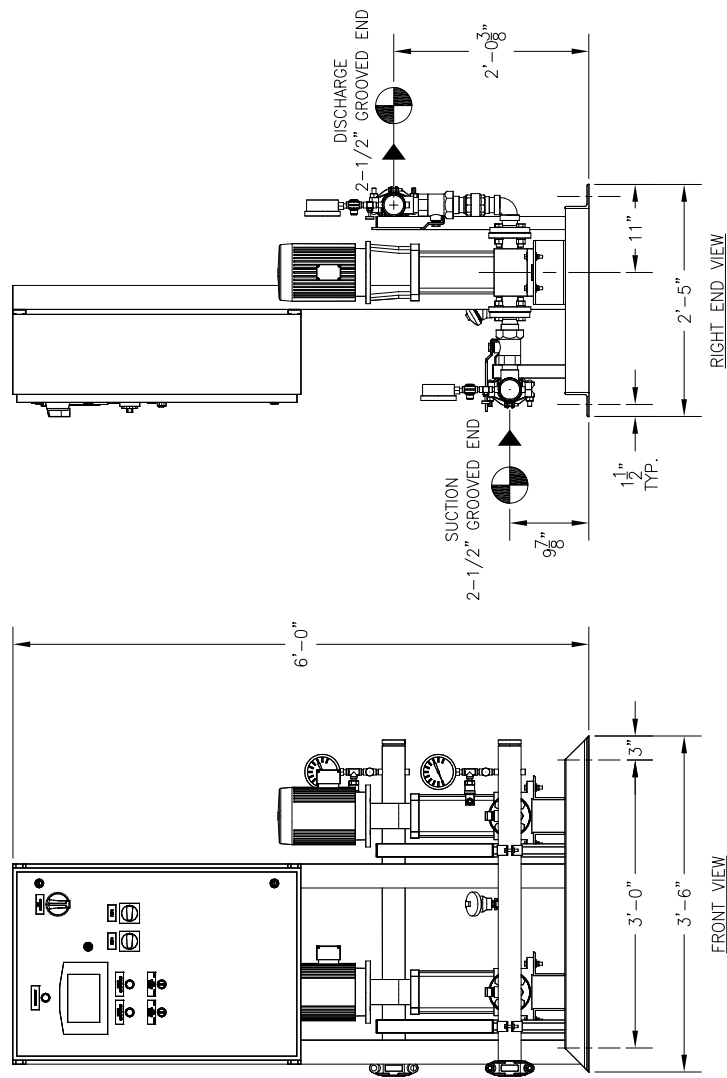
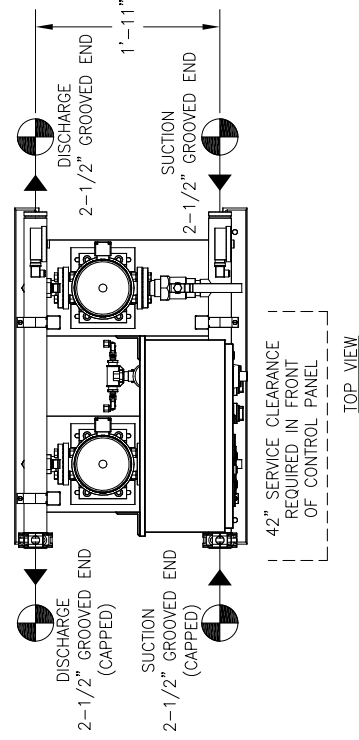
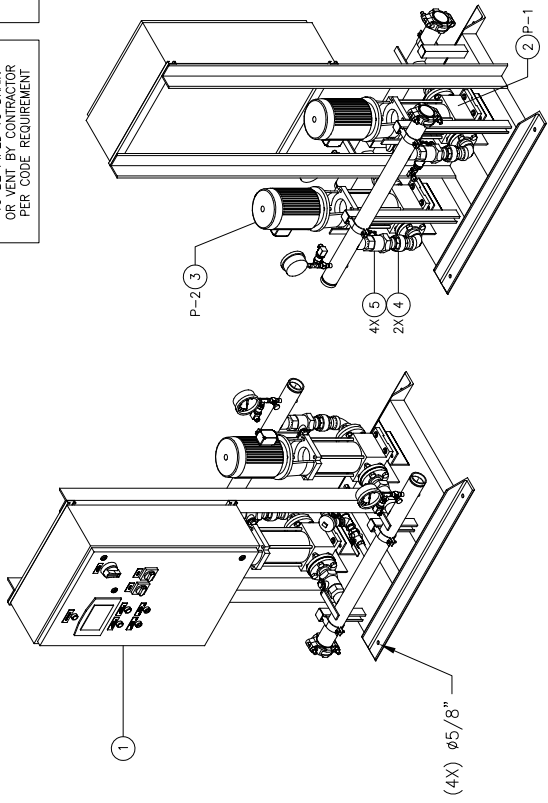


RELIEF VALVES AND ANCHORAGE EQUIPMENT DRAINS TO BE IN COMPLIANCE WITH LOCAL CODES AND ANY SEISMIC REQUIREMENTS.

RELIEF VALVES AND ANCHORAGE EQUIPMENT DRAINS TO BE PIPED TO DRAIN OR VENT BY CONTRACTOR PER CODE REQUIREMENT



CONSTRUCTION NOTES:
 1. SUCTION AND DISCHARGE HEADERS ARE GROOVED ON BOTH ENDS.
 2. END CAPS CAN BE PLACED ON EITHER END OF HEADERS.
 3. SYSTEM DESIGNED FOR INDOOR INSTALLATION.

TOTAL FLOW		- PSI		- PSI		- PSI	
TOTAL DISCHARGE PRESSURE		TOTAL SYSTEM CAPACITY		AVAILABLE PRESSURE		AVAILABLE PRESSURE	
3	P-2	GOULDS	ESV	55VG-10	-	3	3500
2	P-1	GOULDS	ESV	55VG-10	-	3	3500
ITEM	TAG	MANUFACTURER	SERIES	MODEL	GPM	TDH	HP
PUMP SCHEDULE							
10	-	-	-	-	-	-	-
9	-	-	-	-	-	-	-
8	-	-	-	-	-	-	-
7	-	-	-	-	-	-	-
6	-	-	-	-	-	-	-
5	4	-	-	-	-	-	-
4	2	-	-	-	-	-	-
3	1	P-2	GOULDS	ESV	55VG-10	3	3500
2	1	P-1	GOULDS	ESV	55VG-10	3	3500
1	1	-	-	-	-	-	-
ITEM	QTY	TAG	DESCRIPTION		EQUIPMENT SCHEDULE		

GENERAL NOTES:
 (1) SINGLE POINT POWER CONNECTION AT CONTROL PANEL.
 (2) HYDRO PRESSURE CHECK AT 125 PSI.
 (3) ASSEMBLED SYSTEM TO BE PAINTED WITH INDUSTRIAL MACHINE ENAMEL PRIOR TO SHIPMENT.

UL LISTED
 PACKAGED PUMPING SYSTEMS & HEAT TRANSFER SYSTEMS

APPROXIMATE SHIPPING WEIGHT: 890 LBS.
 APPROXIMATE OPERATING WEIGHT: 920 LBS.

FLOWTECH systems
 HAYWARD, CALIFORNIA

EQUIPMENT SCHEDULE

PROJECT NAME: _____
 CUSTOMER: _____
 DRAWN BY DATE: _____
 CHECKED BY APPROVED BY: _____
 12/20/19

TOLERANCES UNLESS OTHERWISE SPECIFIED
 DEC. .500" FRACTION 1/2" ANGLE 5" SCALE 1" = 1'-0"

DRAWING NO. _____
 FAB NO. _____
 REV. 1