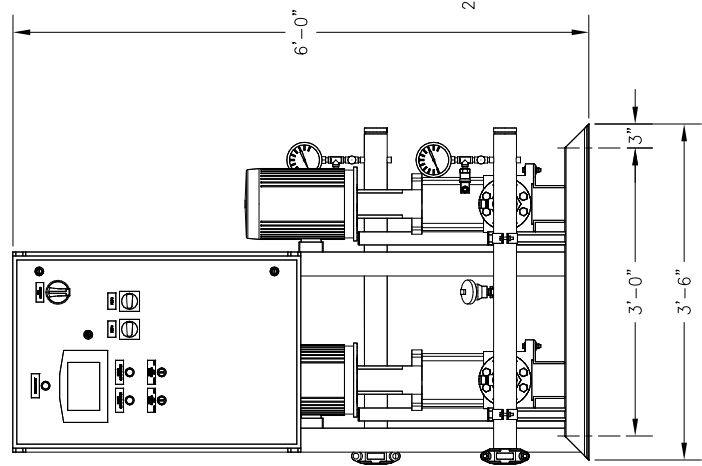
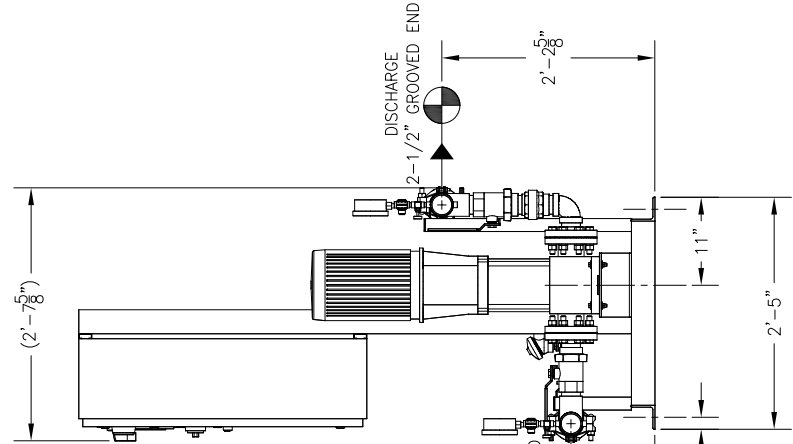
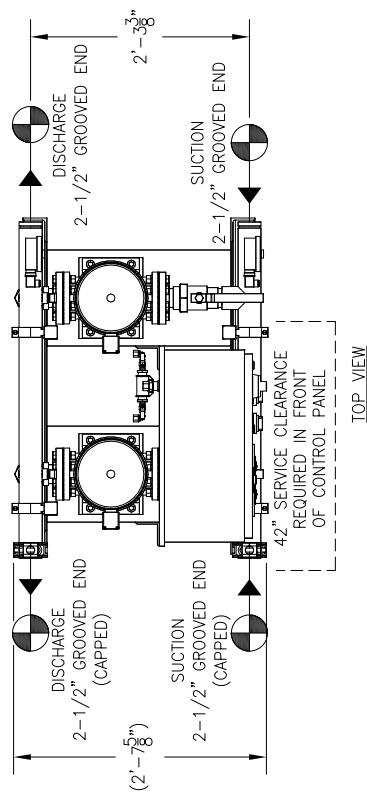
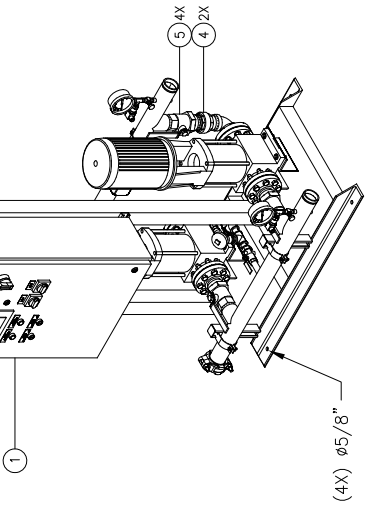
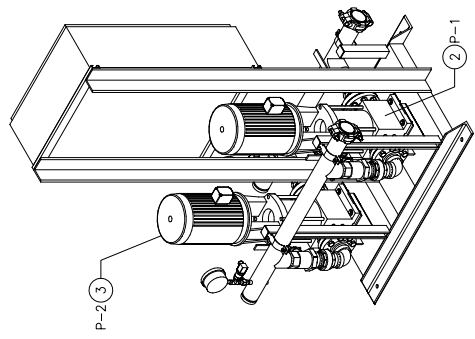


RELIEF VALVES AND ANCHORAGE EQUIPMENT DRAINS TO BE IN COMPLIANCE WITH LOCAL CODES AND ANY SEISMIC REQUIREMENTS.

RELIEF VALVES AND ANCHORAGE EQUIPMENT DRAINS TO BE IN COMPLIANCE WITH LOCAL CODES AND ANY SEISMIC REQUIREMENTS.



- CONSTRUCTION NOTES:
1. SUCTION AND DISCHARGE HEADERS ARE GROOVED ON BOTH ENDS.
  2. END CAPS CAN BE PLACED ON EITHER END OF HEADERS.
  3. SYSTEM DESIGNED FOR INDOOR INSTALLATION.

TOTAL FLOW		- PSI		- PSI		AVAILABLE PRESSURE	
TOTAL SYSTEM CAPACITY							
3	P-2	GOULDS	ESV	10SVG-6	-	5	3500
2	P-1	GOULDS	ESV	10SVG-6	-	5	3500
ITEM	TAG	MANUFACTURER	SERIES	MODEL	GPM	TDH	RPM
PUMP SCHEDULE							
10	-	-	-	-	-	-	-
9	-	-	-	-	-	-	-
8	-	-	-	-	-	-	-
7	-	-	-	-	-	-	-
6	-	-	-	-	-	-	-
5	4	-	-	APOLLO SINGLE UNION BALL VALVE MODEL 70LF-308-01	-	2"	-
4	2	-	-	BONOMI IN-LINE CHECK VALVE	-	2"	-
3	1	P-2	GOULDS	ESV MULTI-STAGE PUMP MODEL 10SVG-6	-	-	-
2	1	P-1	GOULDS	ESV MULTI-STAGE PUMP MODEL 10SVG-6	-	-	-
1	1	-	-	AQUALOGIC XL CONTROL PANEL	-	-	-
ITEM	QTY	TAG	DESCRIPTION				

**GENERAL NOTES:**

- (1) SINGLE POINT POWER CONNECTION AT CONTROL PANEL.
- (2) HYDRO PRESSURE CHECK AT 125 PSI.
- (3) ASSEMBLED SYSTEM TO BE PAINTED WITH INDUSTRIAL MACHINE ENAMEL PRIOR TO SHIPMENT.

= DENOTES CONTRACTOR POINT OF CONNECTION

**UL LISTED**  
PACKAGED PUMPING SYSTEMS & HEAT TRANSFER SYSTEMS

APPROXIMATE SHIPPING WEIGHT: 990 LBS.  
APPROXIMATE OPERATING WEIGHT: 1,010 LBS.

**PROJECT NAME:** \_\_\_\_\_  
**CUSTOMER:** \_\_\_\_\_

**DRAWN BY DATE:** \_\_\_\_\_  
**ACD** 09/11/19

**CHECKED BY APPROVED BY:** \_\_\_\_\_

**TOLERANCES UNLESS OTHERWISE SPECIFIED:**

DEC.	FRAC.	ANGLE	SCALE
.500"	1/2"	5'	1" = 1'-0"

**DRAWING TITLE:** FMW2.1-3-XL - VARIABLE SPEED DUPLEX PRESSURE BOOSTER

**DRAWING NO.:** FMW2.1-3-XL

**REV:** 1

**FLOWTECH systems**  
HAYWARD, CALIFORNIA