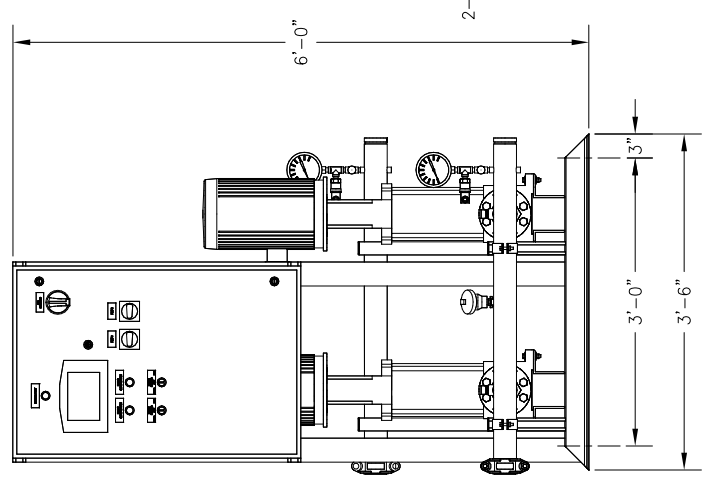
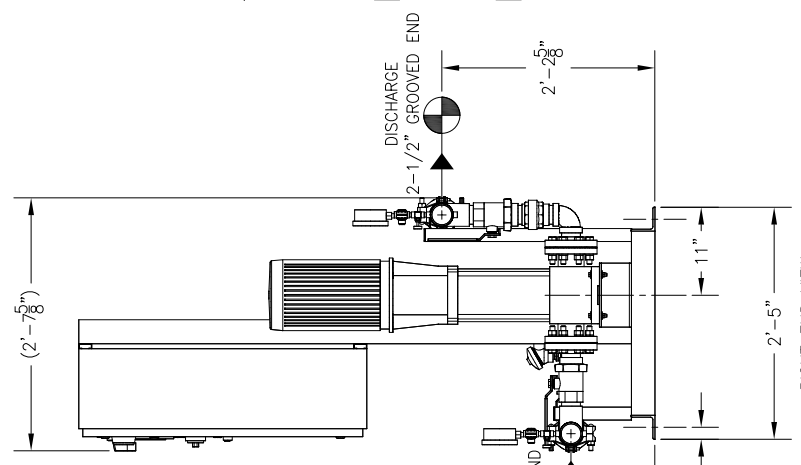
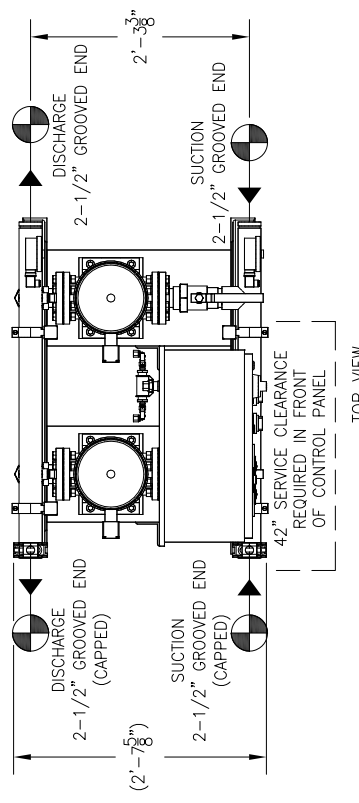
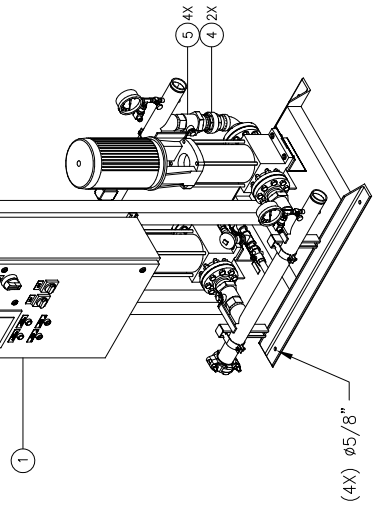
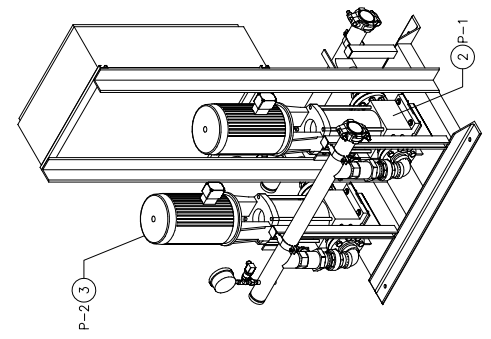


RELIEF VALVES AND ANCHORAGE EQUIPMENT DRAINS TO BE IN COMPLIANCE WITH LOCAL CODES AND ANY SEISMIC REQUIREMENTS.

RELIEF VALVES AND ANCHORAGE EQUIPMENT DRAINS TO BE IN COMPLIANCE WITH LOCAL CODES AND ANY SEISMIC REQUIREMENTS.



- CONSTRUCTION NOTES:
- SUCTION AND DISCHARGE HEADERS ARE GROOVED ON BOTH ENDS.
  - END CAPS CAN BE PLACED ON EITHER END OF HEADERS.
  - SYSTEM DESIGNED FOR INDOOR INSTALLATION.

TOTAL FLOW		- PSI		- PSI		- PSI								
TOTAL DISCHARGE PRESSURE		TOTAL SYSTEM CAPACITY		AVAILABLE PRESSURE										
3	P-2	GOULDS	ESV	10SVG-9	-	7 1/2	3500	H60	/	60	/	3	TEFC	P.E.
2	P-1	GOULDS	ESV	10SVG-9	-	7 1/2	3500	H60	/	60	/	3	TEFC	P.E.
ITEM	TAG	MANUFACTURER	SERIES	MODEL	GPM	TDH	HP	RPM	VOLTS/AHZ/PH	ENCLOSURE	PUMP SCHEDULE			
10	-	-	-	-	-	-	-	-	-	-				
9	-	-	-	-	-	-	-	-	-	-				
8	-	-	-	-	-	-	-	-	-	-				
7	-	-	-	-	-	-	-	-	-	-				
6	-	-	-	-	-	-	-	-	-	-				
5	4	-	-	-	-	-	-	-	-	-	APOLLO SINGLE UNION BALL VALVE MODEL 70LF-308-01 - 2"			
4	2	-	-	-	-	-	-	-	-	-	BONOMI IN-LINE CHECK VALVE - 2"			
3	1	P-2	GOULDS	ESV	10SVG-9	-	-	-	-	-	GOULDS ESV MULTI-STAGE PUMP MODEL 10SVG-9			
2	1	P-1	GOULDS	ESV	10SVG-9	-	-	-	-	-	GOULDS ESV MULTI-STAGE PUMP MODEL 10SVG-9			
1	1	-	-	-	-	-	-	-	-	-	AQUALOGIC XL CONTROL PANEL			
ITEM	QTY	TAG	DESCRIPTION											

PROJECT NAME: \_\_\_\_\_

CUSTOMER: \_\_\_\_\_

DRAWN BY DATE: \_\_\_\_\_

ACD 09/11/19

CHECKED BY APPROVED BY: \_\_\_\_\_

TOLERANCES UNLESS OTHERWISE SPECIFIED

DEC. .500"

FRAC. 1/2"

ANGLE 5°

SCALE 1" = 1'-0"

FAB NO. \_\_\_\_\_

DRAWING NO. \_\_\_\_\_

REV. 1

THIS DRAWING AND THE INFORMATION SPECIFIED THEREIN ARE THE PROPERTY OF FLOWTECH SYSTEMS, A DIVISION OF CHC. COPIES ARE ISSUED IN STRICT CONFIDENCE AND SHALL NOT BE LOANED, REPRODUCED, COPIED, OR USED FOR ANY OTHER PURPOSE WITHOUT THE WRITTEN PERMISSION OF CHC.

LISTED PACKAGED PUMPING SYSTEMS & HEAT TRANSFER SYSTEMS

APPROXIMATE SHIPPING WEIGHT: 1,010 LBS.

APPROXIMATE OPERATING WEIGHT: 1,040 LBS.

GENERAL NOTES:

- SINGLE POINT POWER CONNECTION AT CONTROL PANEL.
- HYDRO PRESSURE CHECK AT 125 PSI.
- ASSEMBLED SYSTEM TO BE PAINTED WITH INDUSTRIAL MACHINE ENAMEL PRIOR TO SHIPMENT.

= DENOTES CONTRACTOR POINT OF CONNECTION

E:\PACKAGED SYSTEM DRAWINGS\FPM\FM2\FM2.1-X-XL\FM2.1-4-XL.DWG

FLOWTECH systems HAYWARD, CALIFORNIA