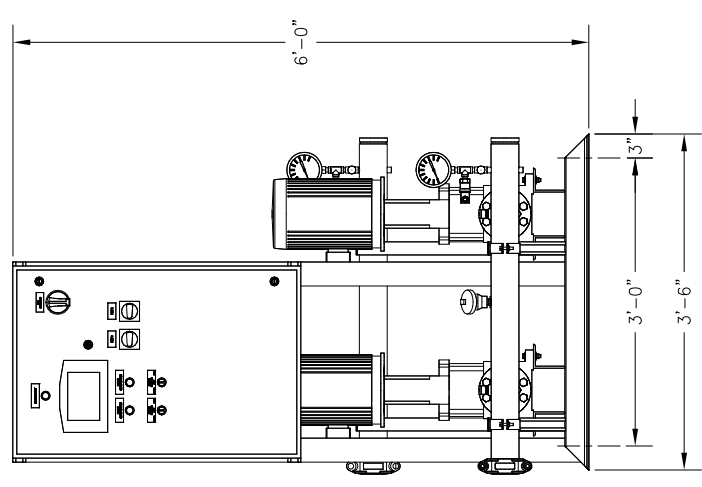
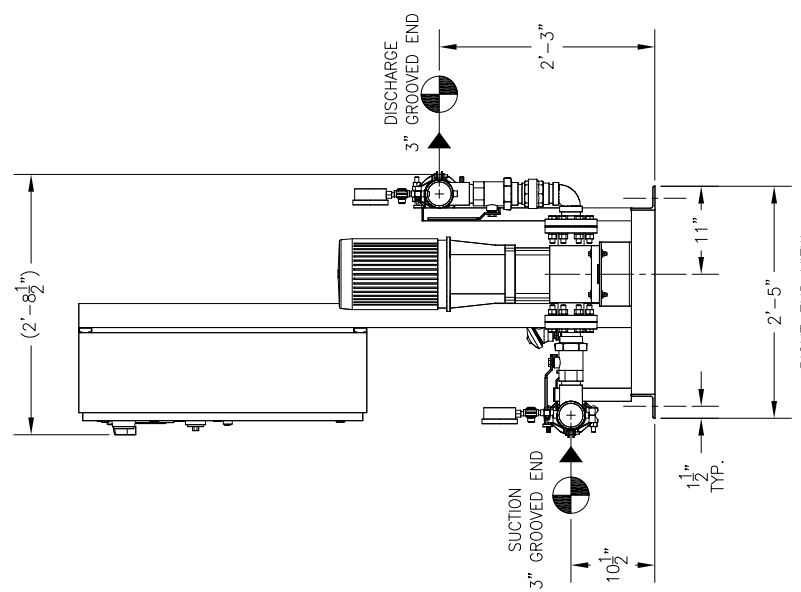
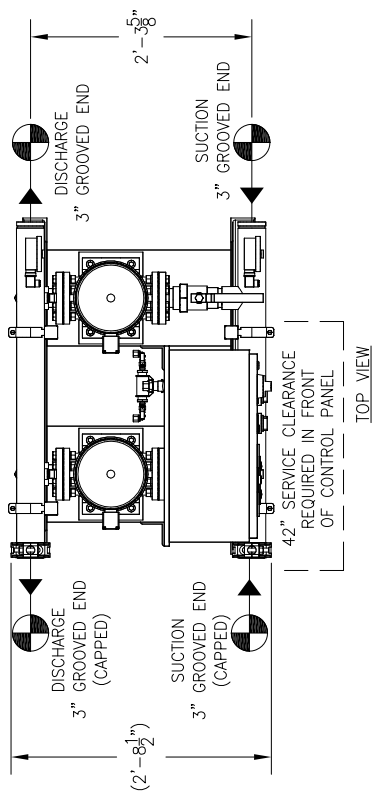
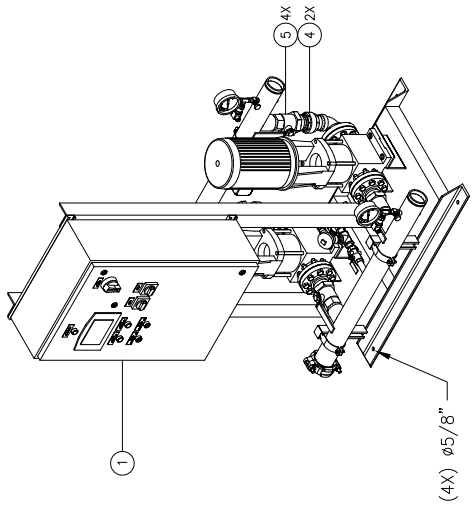
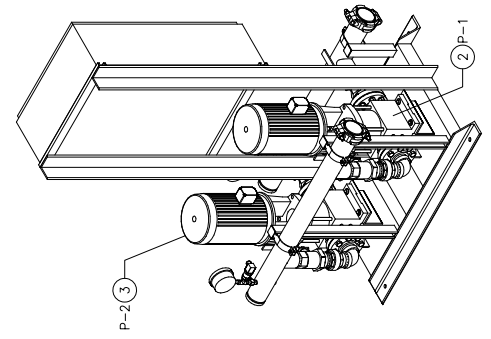


RELIEF VALVES AND EQUIPMENT DRAINS TO BE IN COMPLIANCE WITH LOCAL CODES AND ANY SEISMIC REQUIREMENTS.

ALL BOLTING AND ANCHORAGE TO BE IN COMPLIANCE WITH LOCAL CODES AND ANY SEISMIC REQUIREMENTS.



CONSTRUCTION NOTES:  
 1. SUCTION AND DISCHARGE HEADERS ARE GROOVED ON BOTH ENDS.  
 2. END CAPS CAN BE PLACED ON EITHER END OF HEADERS.  
 3. SYSTEM DESIGNED FOR INDOOR INSTALLATION.

TOTAL FLOW		- PSI		- PSI		- PSI	
TOTAL DISCHARGE PRESSURE		TOTAL SYSTEM CAPACITY		AVAILABLE PRESSURE		AVAILABLE PRESSURE	
3	P-2	GOULDS	ESV	15SVG-2	-	5	3500
2	P-1	GOULDS	ESV	15SVG-2	-	5	3500
ITEM	TAG	MANUFACTURER	SERIES	MODEL	GPM	TDH	HP
PUMP SCHEDULE							
10	-	-	-	-	-	-	-
9	-	-	-	-	-	-	-
8	-	-	-	-	-	-	-
7	-	-	-	-	-	-	-
6	-	-	-	-	-	-	-
5	4	-	-	APOLLO SINGLE UNION BALL VALVE MODEL 70LF-308-01	-	2"	-
4	2	-	-	BONOMI IN-LINE CHECK VALVE	-	2"	-
3	1	P-2	GOULDS	ESV MULTI-STAGE PUMP MODEL 15SVG-2	-	-	-
2	1	P-1	GOULDS	ESV MULTI-STAGE PUMP MODEL 15SVG-2	-	-	-
1	1	-	-	AQUALOGIC XL CONTROL PANEL	-	-	-
ITEM	QTY	TAG	DESCRIPTION				

PROJECT NAME:  
 CUSTOMER:  
 DRAWN BY DATE: ACD 09/11/19  
 CHECKED BY APPROVED BY:  
 TOLERANCES UNLESS OTHERWISE SPECIFIED:  
 DEC. .500"  
 FRACTION 1/2"  
 ANGLE 5"  
 SCALE 1" = 1'-0"  
 FAB NO. FMW2.1-5-XL  
 DRAWING NO. FMW2.1-5-XL  
 REV. 1

THIS DRAWING AND THE INFORMATION SPECIFIED THEREIN ARE THE PROPERTY OF FLOWTECH SYSTEMS, A DIVISION OF CHC. COPIES ARE ISSUED IN STRICT CONFIDENCE AND SHALL NOT BE REPRODUCED OR TRANSMITTED IN ANY FORM OR BY ANY MEANS, ELECTRONIC OR MECHANICAL, INCLUDING PHOTOCOPYING, RECORDING, OR BY ANY INFORMATION STORAGE AND RETRIEVAL SYSTEM, WITHOUT THE WRITTEN PERMISSION OF CHC.

LISTED  
 PACKAGED PUMPING SYSTEMS  
 & HEAT TRANSFER SYSTEMS

UL

APPROXIMATE SHIPPING WEIGHT: 960 LBS.  
 APPROXIMATE OPERATING WEIGHT: 990 LBS.

GENERAL NOTES:  
 (1) SINGLE POINT POWER CONNECTION AT CONTROL PANEL.  
 (2) HYDRO PRESSURE CHECK AT 125 PSI.  
 (3) ASSEMBLED SYSTEM TO BE PAINTED WITH INDUSTRIAL MACHINE ENAMEL PRIOR TO SHIPMENT.

= DENOTES CONTRACTOR POINT OF CONNECTION

FLOWTECH systems  
 HAYWARD, CALIFORNIA