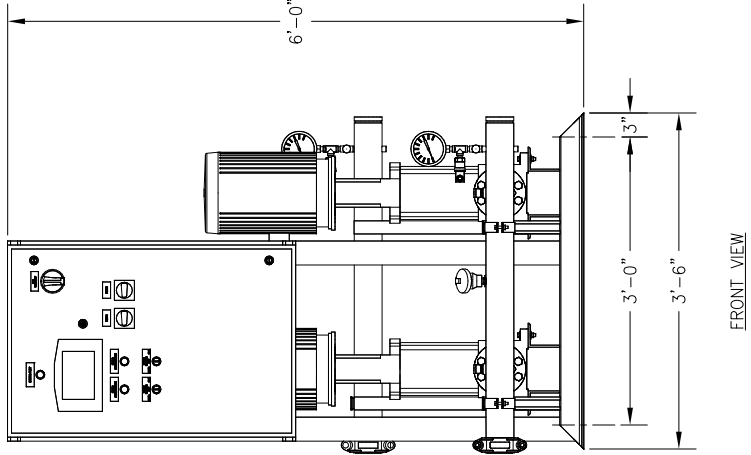
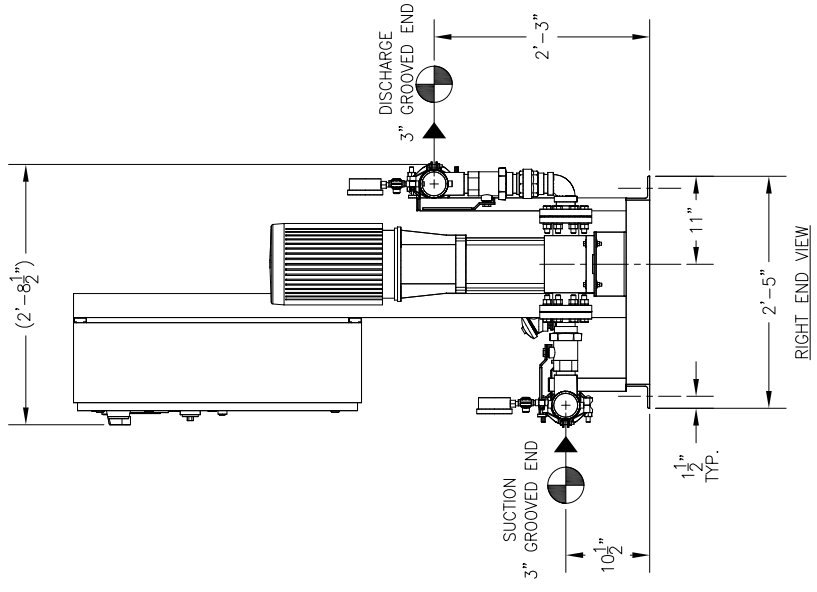
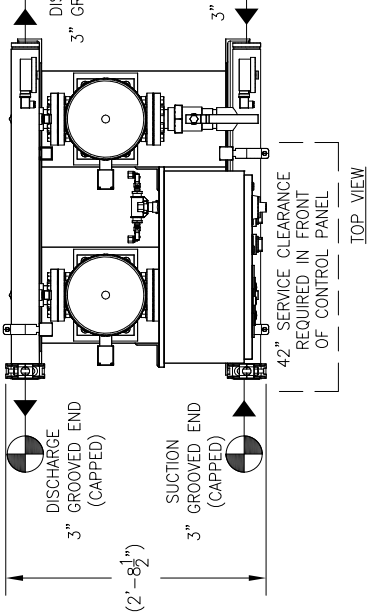
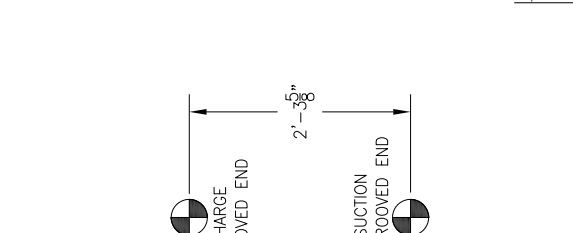
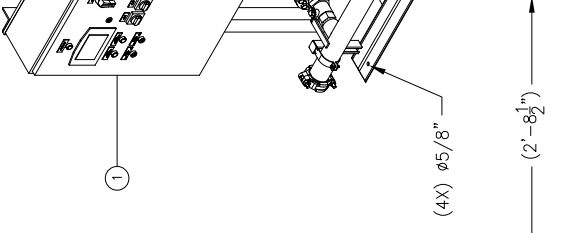


RELIEF VALVES AND ANCHORAGE EQUIPMENT DRAINS TO BE IN COMPLIANCE WITH LOCAL CODES AND ANY SEISMIC REQUIREMENTS.

ALL BOLTING AND ANCHORAGE TO BE IN COMPLIANCE WITH LOCAL CODES AND ANY SEISMIC REQUIREMENTS.



CONSTRUCTION NOTES:
 1. SUCTION AND DISCHARGE HEADERS ARE GROOVED ON BOTH ENDS.
 2. END CAPS CAN BE PLACED ON EITHER END OF HEADERS.
 3. SYSTEM DESIGNED FOR INDOOR INSTALLATION.

TOTAL FLOW		- PSI		TOTAL DISCHARGE PRESSURE		- PSI		AVAILABLE PRESSURE		
TOTAL SYSTEM CAPACITY										
3	P-2	GOULDS	ESV	15SVG-5	-	10	3500	460	60 / 3	TEFC P.E.
2	P-1	GOULDS	ESV	15SVG-5	-	10	3500	460	60 / 3	TEFC P.E.
ITEM	TAG	MANUFACTURER	SERIES	MODEL	GPM	TDH	HP	RPM	VOLTS/4Z/PH	ENCLOSURE
PUMP SCHEDULE										
10	-	-	-	-	-	-	-	-	-	-
9	-	-	-	-	-	-	-	-	-	-
8	-	-	-	-	-	-	-	-	-	-
7	-	-	-	-	-	-	-	-	-	-
6	-	-	-	-	-	-	-	-	-	-
5	4	-	-	APOLLO SINGLE UNION BALL VALVE MODEL 70LF-308-01	-	2"	-	-	-	-
4	2	-	-	BONOMI IN-LINE CHECK VALVE	-	2"	-	-	-	-
3	1	P-2	GOULDS	ESV MULTI-STAGE PUMP MODEL 15SVG-5	-	-	-	-	-	-
2	1	P-1	GOULDS	ESV MULTI-STAGE PUMP MODEL 15SVG-5	-	-	-	-	-	-
1	1	-	-	AQUALOGIC XL CONTROL PANEL	-	-	-	-	-	-
ITEM	QTY	TAG	DESCRIPTION							

EQUIPMENT SCHEDULE	
PROJECT NAME:	
CUSTOMER:	
DRAWN BY DATE:	09/12/19
ACD	
CHECKED BY:	
APPROVED BY:	
TOLERANCES UNLESS OTHERWISE SPECIFIED:	
DEC. 500"	
FRAC. 1/2"	
ANGLE 5"	
SCALE 1" = 1'-0"	
DRAWING NO. FMW2.1-7-XL	
FAB NO. -	
DRAWING TITLE: FMW2.1-7-XL - VARIABLE SPEED DUPLEX PRESSURE BOOSTER	
REV 1	

THIS DRAWING AND THE INFORMATION SPECIFIED THEREIN ARE THE PROPERTY OF FLOWTECH SYSTEMS, A DIVISION OF CHC. COPIES ARE ISSUED IN STRICT CONFIDENCE AND SHALL NOT BE REPRODUCED OR TRANSMITTED IN ANY FORM OR BY ANY MEANS, ELECTRONIC OR MECHANICAL, INCLUDING PHOTOCOPYING, RECORDING, OR BY ANY INFORMATION STORAGE AND RETRIEVAL SYSTEM, WITHOUT THE WRITTEN PERMISSION OF CHC.

LISTED
 PACKAGED PUMPING SYSTEMS & HEAT TRANSFER SYSTEMS

UL

APPROXIMATE SHIPPING WEIGHT: 1,130 LBS.
 APPROXIMATE OPERATING WEIGHT: 1,160 LBS.

GENERAL NOTES:
 (1) SINGLE POINT POWER CONNECTION AT CONTROL PANEL.
 (2) HYDRO PRESSURE CHECK AT 125 PSI.
 (3) ASSEMBLED SYSTEM TO BE PAINTED WITH INDUSTRIAL MACHINE ENAMEL PRIOR TO SHIPMENT.

= DENOTES CONTRACTOR POINT OF CONNECTION

