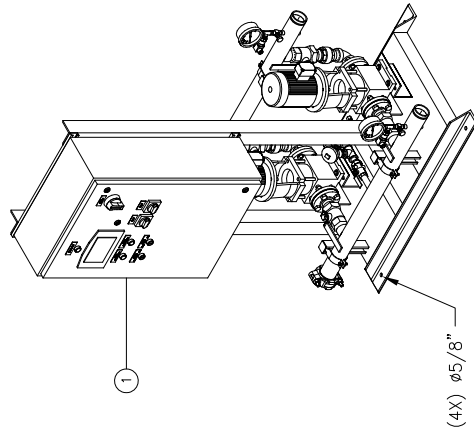
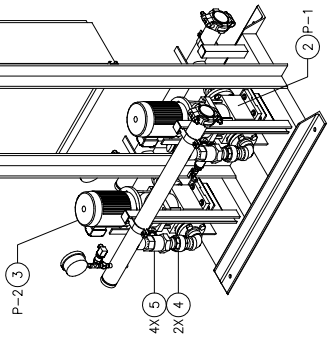


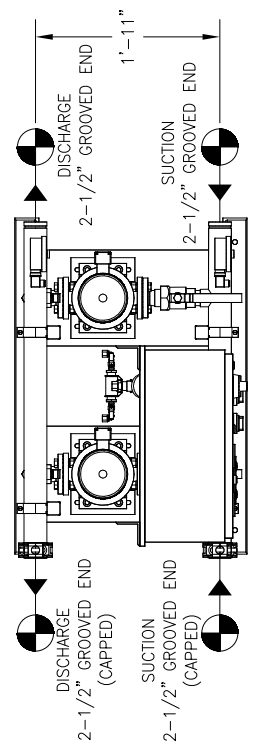
RELIEF VALVES AND EQUIPMENT DRAINS TO BE PIPED TO DRAIN OR VENT BY CONTRACTOR PER CODE REQUIREMENT.



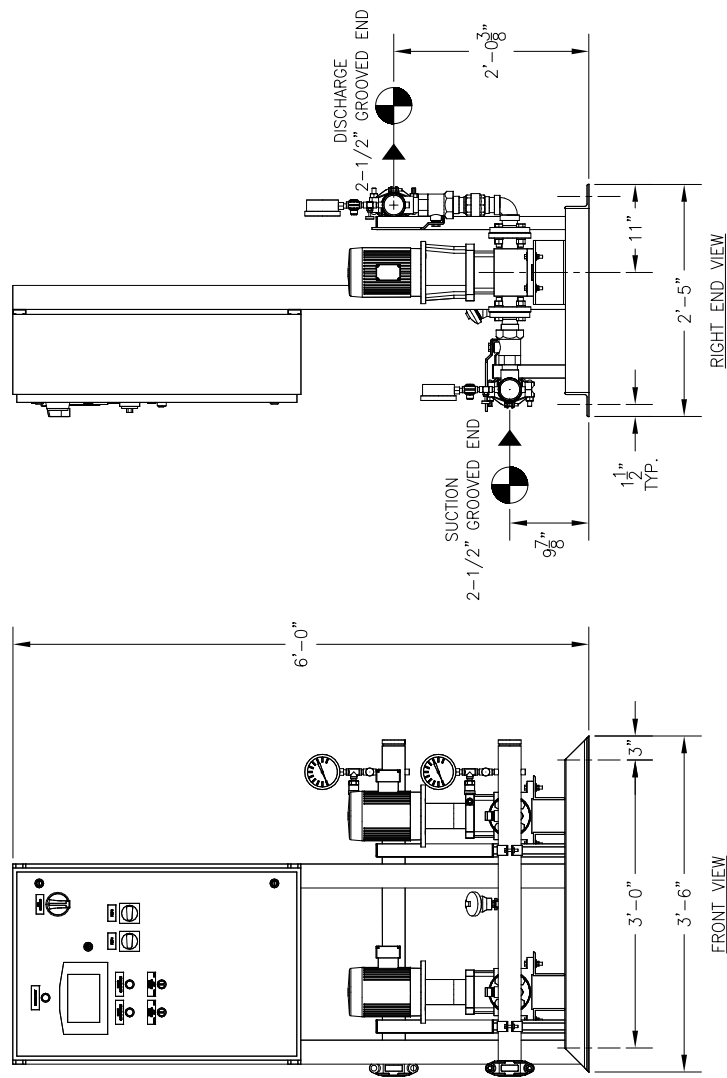
1



(4X) 95/8"



TOP VIEW
42" SERVICE CLEARANCE REQUIRED IN FRONT OF CONTROL PANEL



RIGHT END VIEW

FRONT VIEW

CONSTRUCTION NOTES:
1. SUCTION AND DISCHARGE HEADERS ARE GROOVED ON BOTH ENDS.
2. END CAPS CAN BE PLACED ON EITHER END OF HEADERS.
3. SYSTEM DESIGNED FOR INDOOR INSTALLATION.

TOTAL FLOW		- PSI		- PSI		- PSI				
TOTAL DISCHARGE PRESSURE		TOTAL SYSTEM CAPACITY		AVAILABLE PRESSURE						
3	P-2	GOULDS	ESV	5SVG-3	-	-	1	3500	H60 / 60 / 3	TEFC P.E.
2	P-1	GOULDS	ESV	5SVG-3	-	-	1	3500	H60 / 60 / 3	TEFC P.E.
ITEM	TAG	MANUFACTURER	SERIES	MODEL	GPM	TDH	HP	RPM	VOLTS/PH/PH	ENCLOSURE
PUMP SCHEDULE										
10	-	-	-	-	-	-	-	-	-	-
9	-	-	-	-	-	-	-	-	-	-
8	-	-	-	-	-	-	-	-	-	-
7	-	-	-	-	-	-	-	-	-	-
6	-	-	-	-	-	-	-	-	-	-
5	4	-	-	-	-	-	-	-	-	APOLLO SINGLE UNION BALL VALVE MODEL 70LF-307-01 - 1 1/2"
4	2	-	-	-	-	-	-	-	-	BONOMI IN-LINE CHECK VALVE - 1 1/2"
3	1	P-2	GOULDS	ESV	MULTI-STAGE PUMP MODEL	5SVG-3	-	-	-	-
2	1	P-1	GOULDS	ESV	MULTI-STAGE PUMP MODEL	5SVG-3	-	-	-	-
1	1	-	-	-	-	-	-	-	-	AQUALOGIC XL CONTROL PANEL
ITEM	QTY	TAG	DESCRIPTION							

EQUIPMENT SCHEDULE	
PROJECT NAME:	
CUSTOMER:	
DRAWN BY DATE:	12/20/19
ACD	
CHECKED BY:	
TOLERANCES UNLESS OTHERWISE SPECIFIED:	
DEC. .500"	1/2"
FRAC. 1/2"	5"
ANGLE	C
SCALE	1" = 1'-0"
FAB NO.	FWZ.1-1LH-XL
DRAWING NO.	
FAB NO.	
DRAWING TITLE:	FWZ.1-1LH-XL - VARIABLE SPEED DUPLEX PRESSURE BOOSTER
REV	1



THIS DRAWING AND THE INFORMATION SPECIFIED THEREIN ARE THE PROPERTY OF FLOWTHERM SYSTEMS, A DIVISION OF CHC. COPIES ARE ISSUED IN STRICT CONFIDENCE AND SHALL NOT BE LOANED, REPRODUCED, COPIED, OR USED AS A BASIS FOR MANUFACTURING OR SALE OF ANY PRODUCT WITHOUT PRIOR WRITTEN PERMISSION OF CHC.

LISTED
PACKAGED PUMPING SYSTEMS & HEAT TRANSFER SYSTEMS
UL
APPROXIMATE SHIPPING WEIGHT: 720 LBS.
APPROXIMATE OPERATING WEIGHT: 740 LBS.

GENERAL NOTES:
(1) SINGLE POINT POWER CONNECTION AT CONTROL PANEL.
(2) HYDRO PRESSURE CHECK AT 125 PSI.
(3) ASSEMBLED SYSTEM TO BE PAINTED WITH INDUSTRIAL MACHINE ENAMEL PRIOR TO SHIPMENT.
= DENOTES CONTRACTOR POINT OF CONNECTION