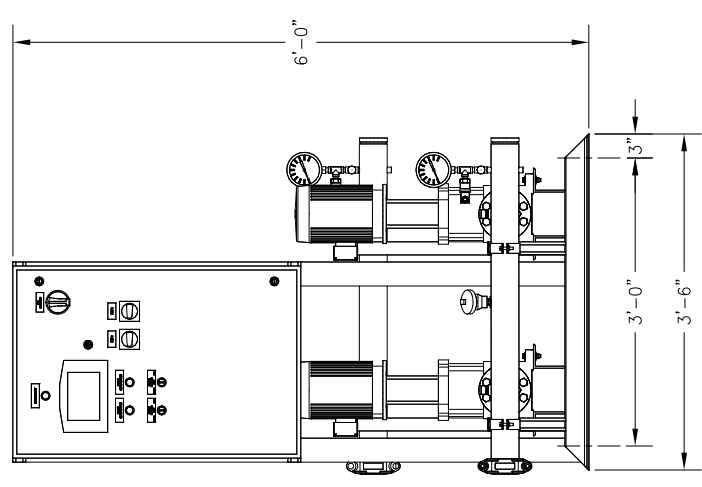
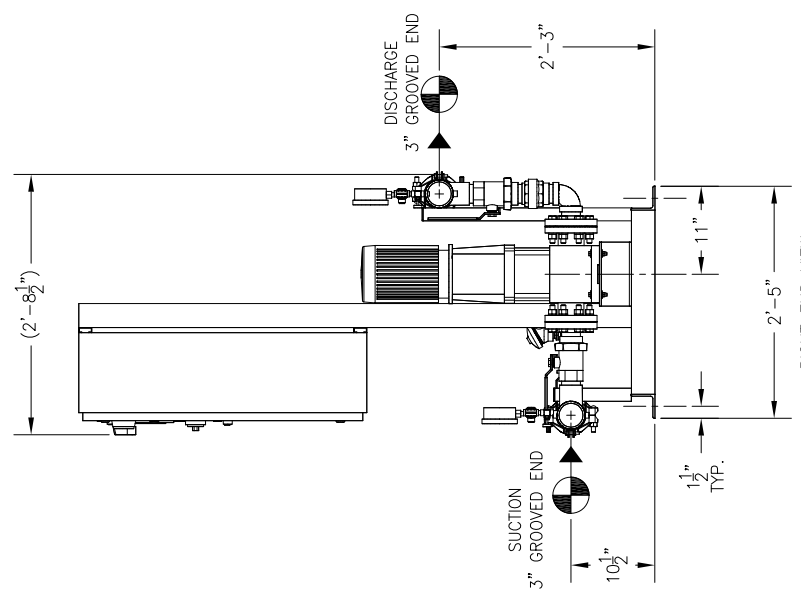
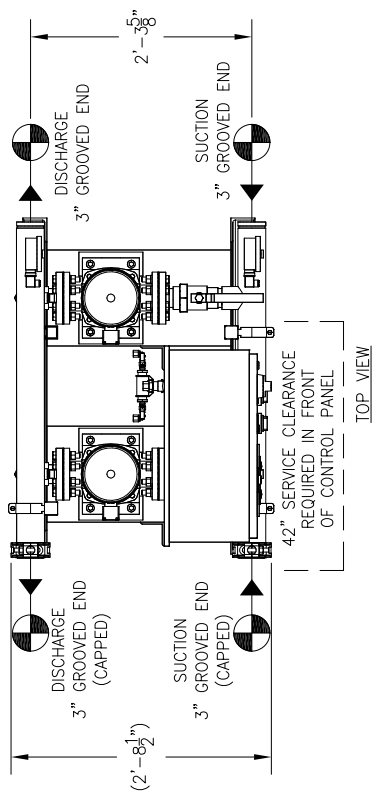
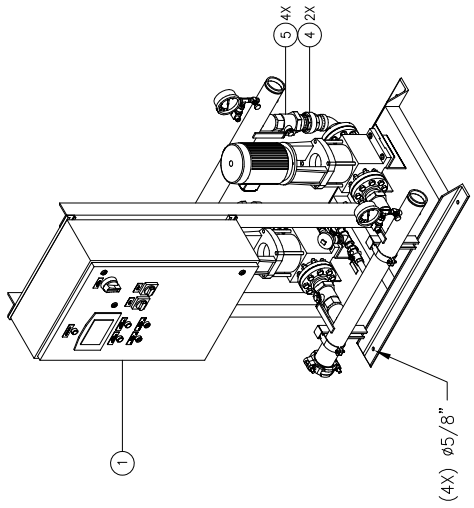
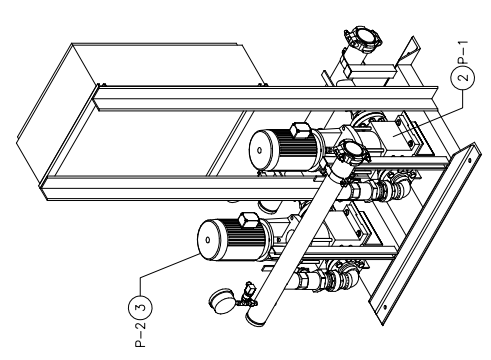


RELIEF VALVES AND ANCHORAGE EQUIPMENT DRAINS TO BE IN COMPLIANCE WITH LOCAL CODES AND ANY SEISMIC REQUIREMENTS.

RELIEF VALVES AND EQUIPMENT DRAINS TO BE PIPED TO DRAIN OR VENT BY CONTRACTOR PER CODE REQUIREMENT.



CONSTRUCTION NOTES:  
 1. SUCTION AND DISCHARGE HEADERS ARE GROOVED ON BOTH ENDS.  
 2. END CAPS CAN BE PLACED ON EITHER END OF HEADERS.  
 3. SYSTEM DESIGNED FOR INDOOR INSTALLATION.

TOTAL FLOW		- PSI		- PSI		- PSI	
TOTAL DISCHARGE PRESSURE		TOTAL SYSTEM CAPACITY		AVAILABLE PRESSURE			
3	P-2	60GULDS	ESV	225VG-1	-	3	3500
2	P-1	60GULDS	ESV	225VG-1	-	3	3500
ITEM	TAG	MANUFACTURER	SERIES	MODEL	GPM	TDH	HP
PUMP SCHEDULE							
10	-	-	-	-	-	-	-
9	-	-	-	-	-	-	-
8	-	-	-	-	-	-	-
7	-	-	-	-	-	-	-
6	-	-	-	-	-	-	-
5	4	-	-	-	-	-	-
4	2	-	-	-	-	-	-
3	1	P-2	GOULDS	ESV MULTI-STAGE PUMP	MODEL 225VG-1		
2	1	P-1	GOULDS	ESV MULTI-STAGE PUMP	MODEL 225VG-1		
1	1	-	AQUALOGIC	XL CONTROL PANEL			
ITEM	QTY	TAG	DESCRIPTION				

**GENERAL NOTES:**  
 (1) SINGLE POINT POWER CONNECTION AT CONTROL PANEL.  
 (2) HYDRO PRESSURE CHECK AT 125 PSI.  
 (3) ASSEMBLED SYSTEM TO BE PAINTED WITH INDUSTRIAL MACHINE ENAMEL PRIOR TO SHIPMENT.

**UL LISTED**  
 PACKAGED PUMPING SYSTEMS & HEAT TRANSFER SYSTEMS

APPROXIMATE SHIPPING WEIGHT: 840 LBS.  
 APPROXIMATE OPERATING WEIGHT: 870 LBS.

**FLOWTECH systems**  
 HAYWARD, CALIFORNIA

**EQUIPMENT SCHEDULE**

ITEM	QTY	TAG	DESCRIPTION
10	-	-	-
9	-	-	-
8	-	-	-
7	-	-	-
6	-	-	-
5	4	-	APOLLO SINGLE UNION BALL VALVE MODEL 70LF-308-01 - 2"
4	2	-	BONOMI IN-LINE CHECK VALVE - 2"
3	1	P-2	GOULDS ESV MULTI-STAGE PUMP MODEL 225VG-1
2	1	P-1	GOULDS ESV MULTI-STAGE PUMP MODEL 225VG-1
1	1	-	AQUALOGIC XL CONTROL PANEL

**PROJECT NAME:** \_\_\_\_\_  
**CUSTOMER:** \_\_\_\_\_  
**DRAWN BY DATE:** \_\_\_\_\_  
**ACD 09/11/19**  
**CHECKED BY APPROVED BY:** \_\_\_\_\_  
**TOLERANCES UNLESS OTHERWISE SPECIFIED**  
**SCALE** 1" = 1'-0"  
**DEC.** .500"  
**FRAC.** 1/2"  
**ANGLE** 5'  
**SIZE** C  
**1" = 1'-0"**

**DRAWING TITLE:** FMW2.1-SLH-XL - VARIABLE SPEED DUPLEX PRESSURE BOOSTER  
**FAB NO.** \_\_\_\_\_  
**DRAWING NO.** FMW2.1-SLH-XL  
**REV** 1